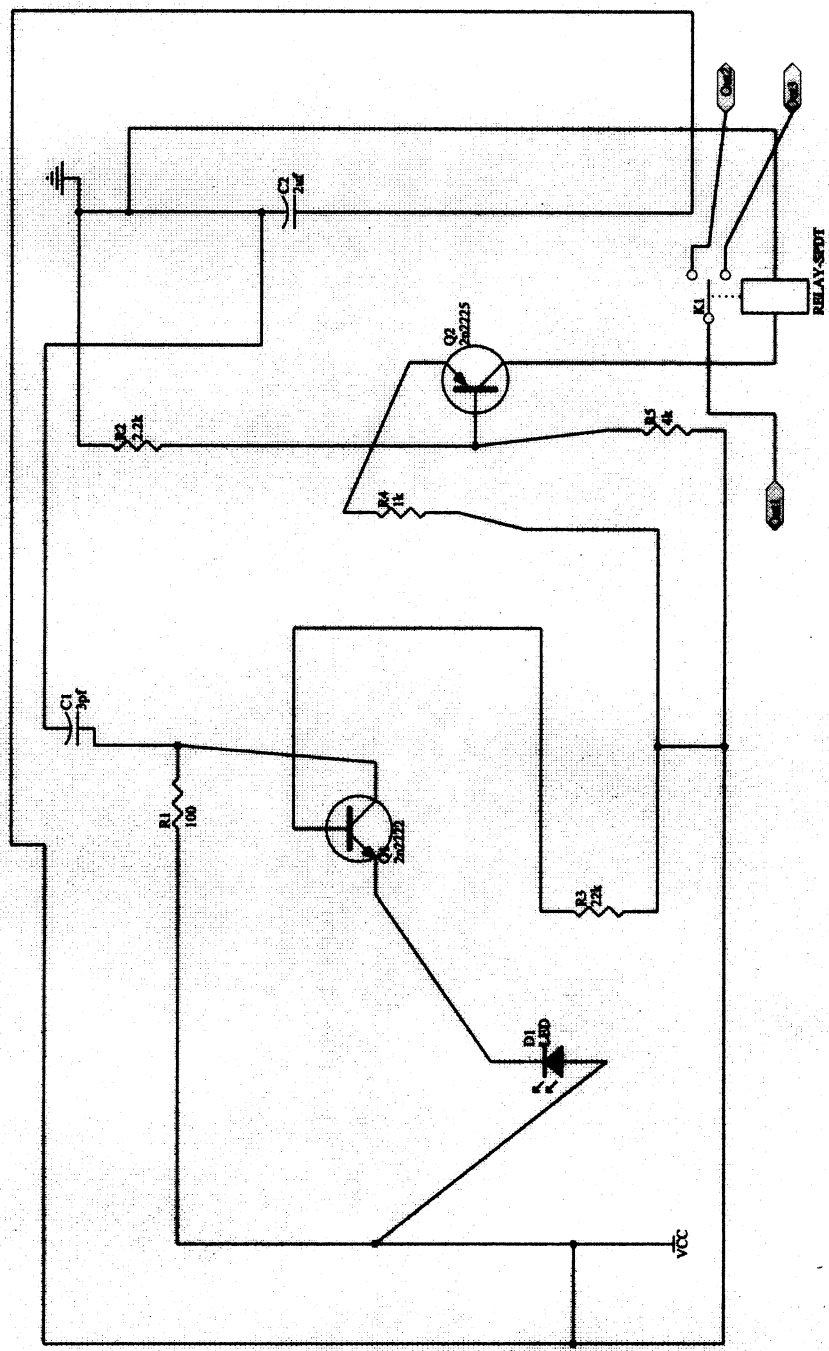


Lab #5 Instructions

- Redraw the schematic shown here using proper technique (ie full title block, part number, part type, eliminate crossed lines where possible (by repositioning parts where necessary) and correct top down / left to right flow.
- Consider the relay the output of the circuit.
- Name the .ddb your initials-5.ddb (ie dtk-5.ddb)
- Submit the corrected drawing via <http://ceetusa.com/~EET200/>



Title Lab #5

Size	Number	Revisions
A		
Date: 15-Sep-2003	Time: 11:25:06	Sheet 0 of 0
File: C:\My Documents\temp\Lab #5.ddb - Document1(Sheet1).Sch		

Protel
Making Electronic Design Easy™